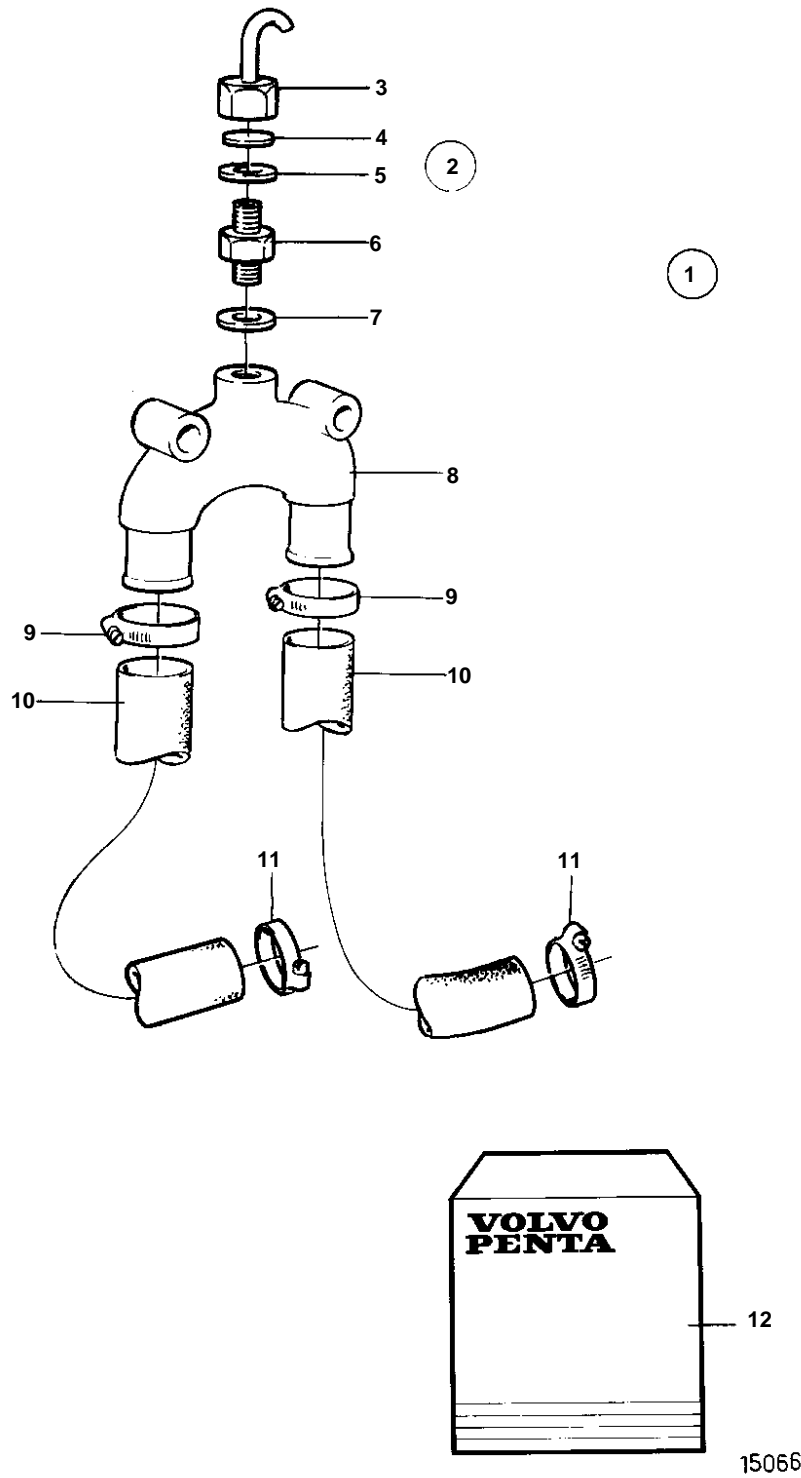


MD2010B, MD2020B, MD2030B, MD2040B



MD2010B, MD2020B, MD2030B, MD2040B

REF	PART NO.	QTY	DESCRIPTION	NOTES
1	861497	1	Vacuum valve kit	
2	828534	1	· Vacuum valve	
3	828533	1	· · Upper section	
4		2	· · Diaphragm	Included in overhaul kit.
5	828424	2	· · Gasket	Included in overhaul kit.
6	828266	1	· · Lower section	
7	947282	2	· · Gasket	Included in overhaul kit.
8		1	· Branch pipe	
9	961667	2	· Hose clamp	
10	952970	X	Rubber hose	
11	961666	X	Hose clamp	
12	875738	2	Repair kit	